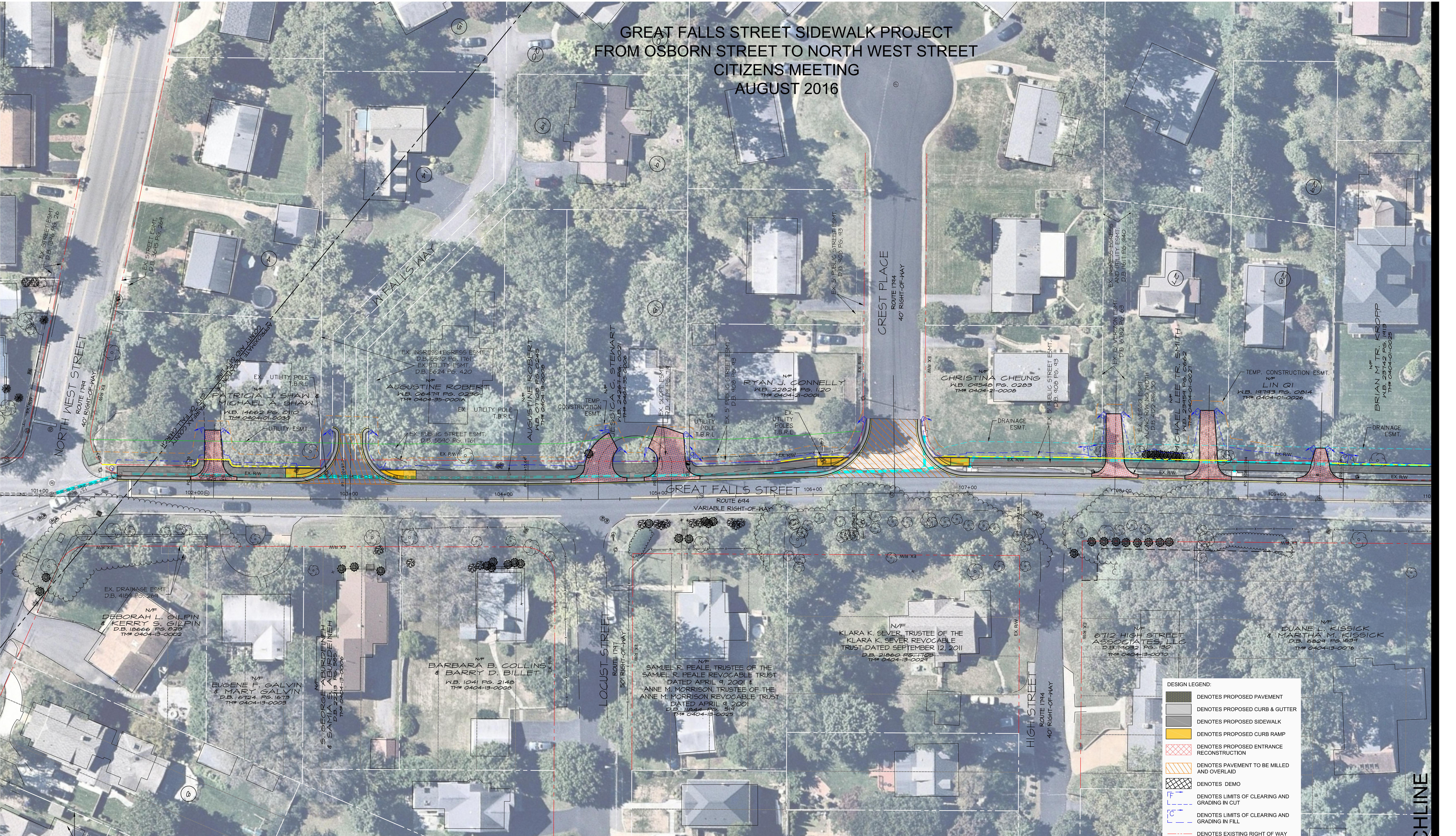
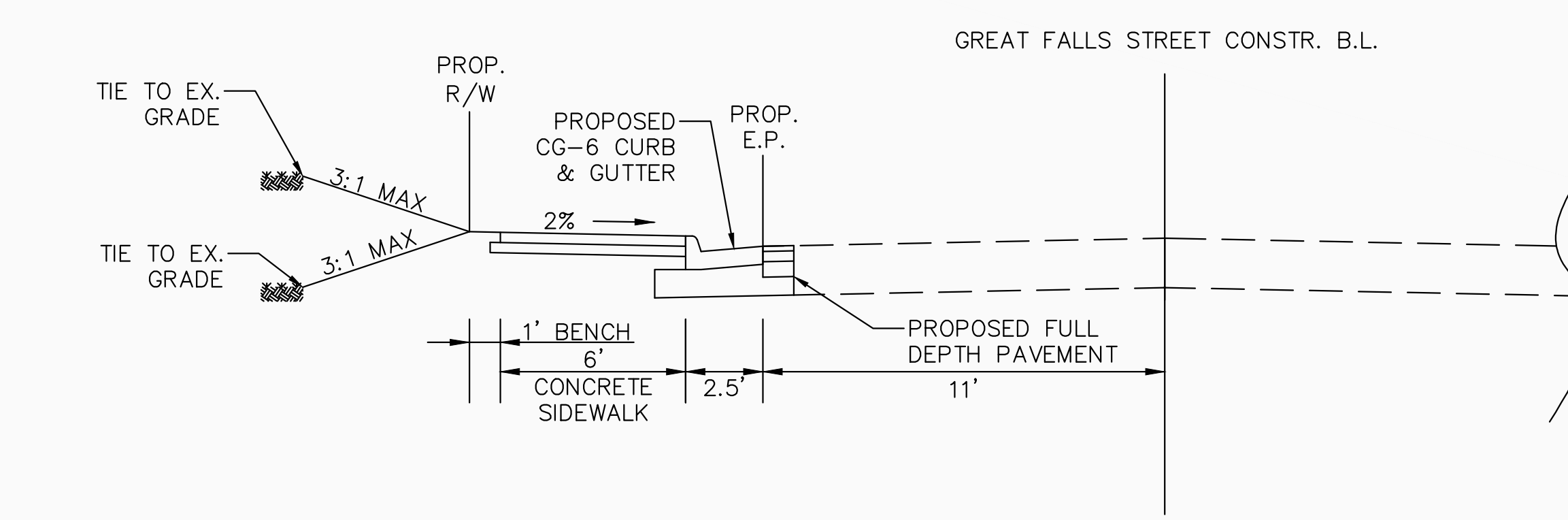


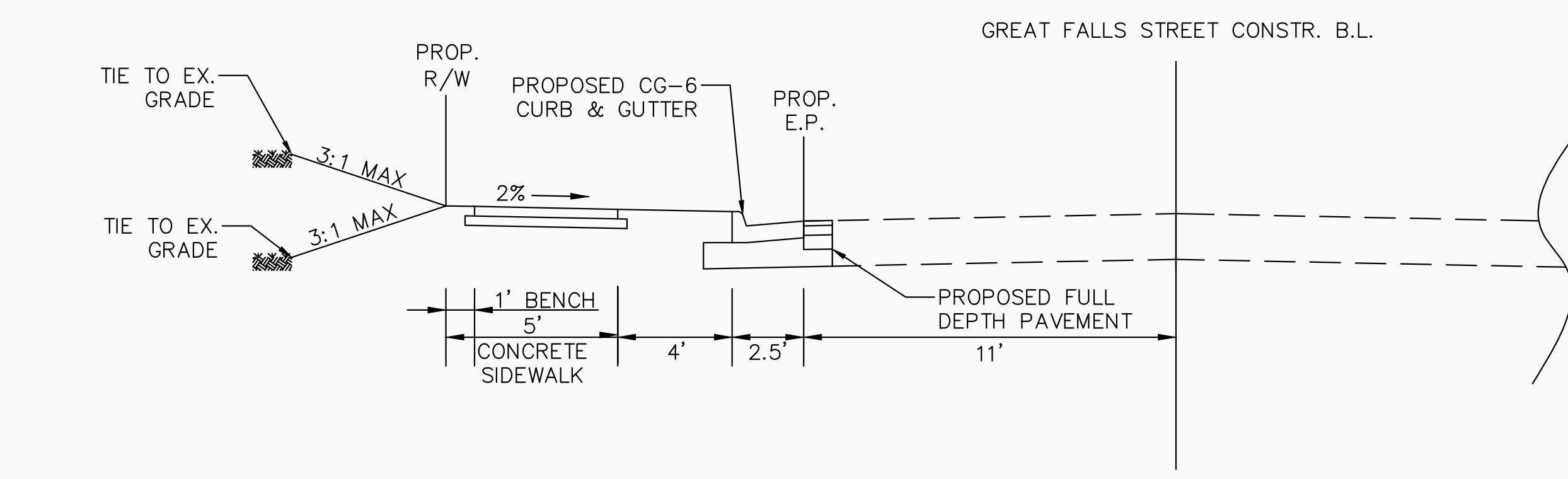
**GREAT FALLS STREET SIDEWALK PROJECT
FROM OSBORN STREET TO NORTH WEST STREET
CITIZENS MEETING
AUGUST 2016**



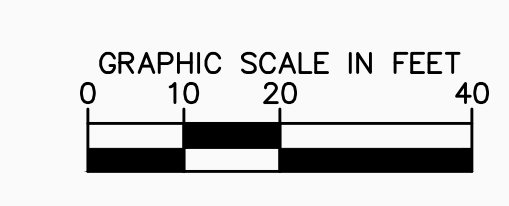
TYPICAL SECTION NO. 1
(NOT TO SCALE)
STA. 101+25 TO STA. 105+75



TYPICAL SECTION NO. 2
(NOT TO SCALE)
STA. 105+75 TO STA. 115+00



- DESIGN LEGEND:**
- DENOTES PROPOSED PAVEMENT
 - DENOTES PROPOSED CURB & GUTTER
 - DENOTES PROPOSED SIDEWALK
 - DENOTES PROPOSED CURB RAMP
 - DENOTES PROPOSED ENTRANCE RECONSTRUCTION
 - DENOTES PAVEMENT TO BE MILLED AND OVERLAID
 - DENOTES DEMO
 - DENOTES LIMITS OF CLEARING AND GRADING IN CUT
 - DENOTES LIMITS OF CLEARING AND GRADING IN FILL
 - DENOTES EXISTING RIGHT OF WAY
 - DENOTES PROPOSED RIGHT OF WAY
 - DENOTES TEMPORARY CONSTRUCTION EASEMENT
 - DENOTES UTILITY EASEMENT
 - DENOTES DRAINAGE EASEMENT
 - DENOTES PROPOSED STORM PIPE
 - T.B.R.L. TO BE RELOCATED



MATCHLINE